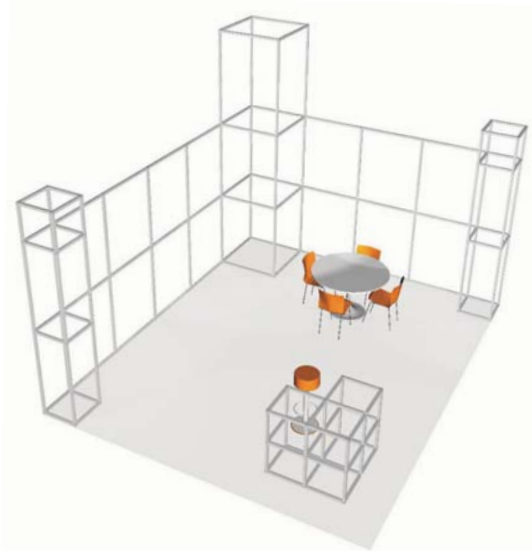
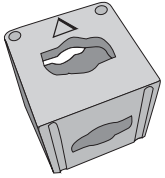


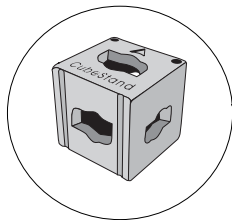
CubeStand

The modular system

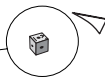
A modular system that allows shaping any idea, from small counters or murals to larger and more impressive stands, with an easy and economical modular system that can be easily reconfigured.



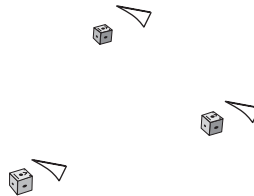
ASSEMBLY



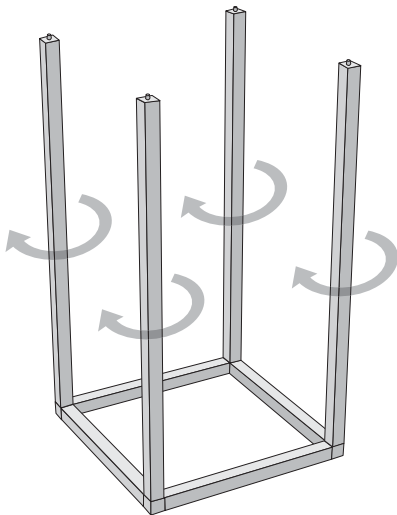
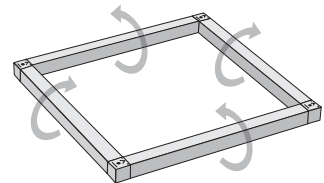
1.



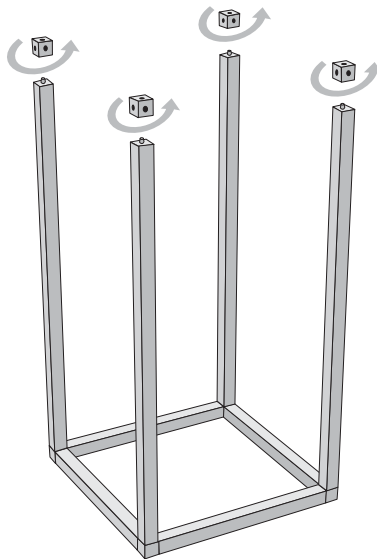
2.



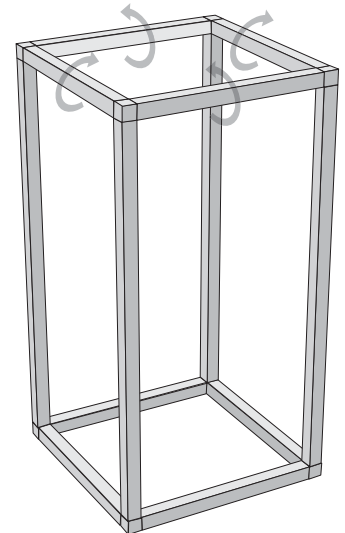
3.



4.

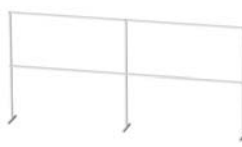
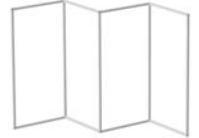
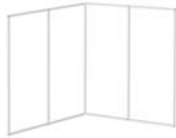
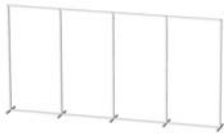


5.



6.

EXAMPLES



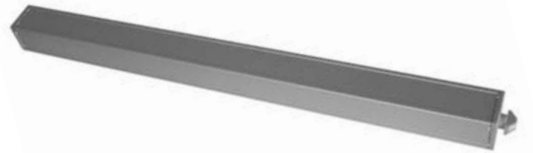
COMPONENTS



Cube



Terminator ends
plain+grooved



Bar



Profile 3000 mm

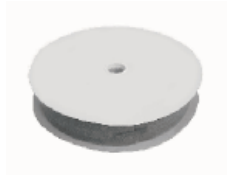
ACCESORIES



Magnetic Tape 12,5mm x 30m
for graphics



Magnetic Tape 25mm x 30m
for bars



Adhesive Velcro
20mm x 25m



Spotlight 200W + connector



Spotlight connector