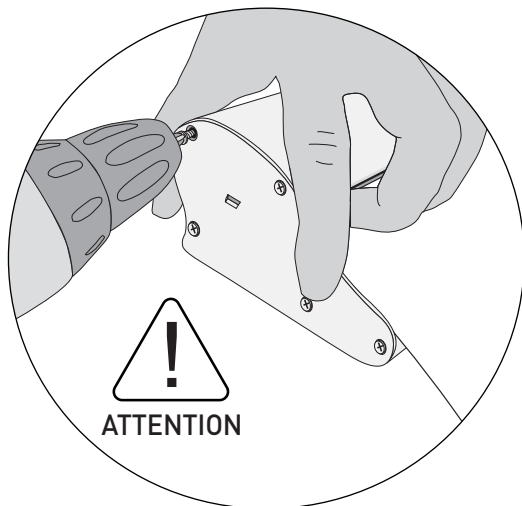


How to adjust spring Tension

RollerNeo

1.

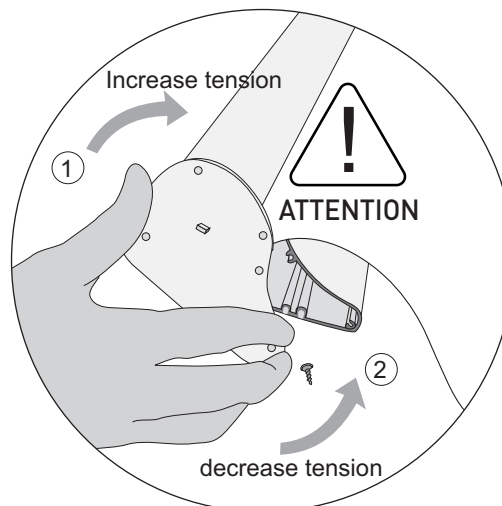


From the left lateral side and always holding the cover firmly to keep it in position, remove the 5 screws that hold the cover.

ATTENTION:

Never release the cover, it could hurt you.

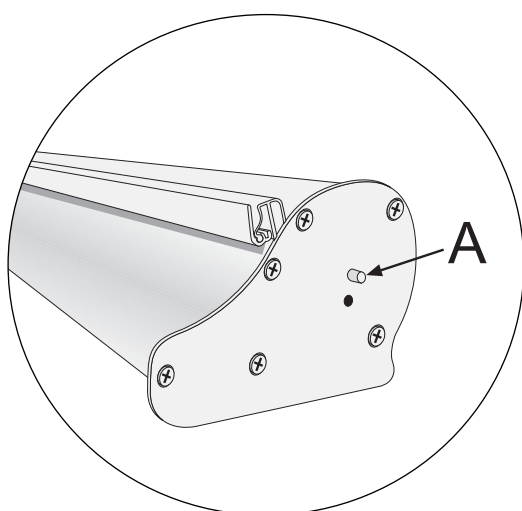
2.



Turn the cover clockwise to increase tension and in the opposite direction to reduce it.

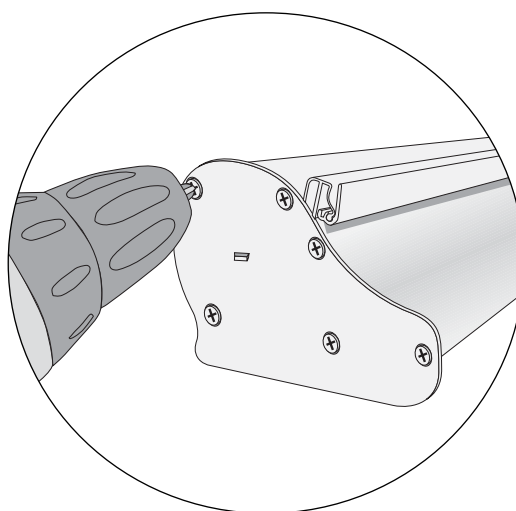
NOTE: Once the internal mechanism has been first tensed in our factory, there is not an exact number of turns that ensures an optimal tension. As a rule, you should turn the cover till the print is totally rolled inside the roller. It may occur that the procedure needs to be repeated until you find the adequate tension for the type of graphic used. **Be careful, do not tension the mechanism too much, you could damage it.**

3.



Before reattaching the cover with the screws, make sure that the axel of the internal mechanism is well fitted inside its hole in the cover of the right side. If the axel moves, it is necessary to place it again and repeat all the procedure from step 2.

4.



Reattach the cover again with the screws.